

LEDMPAL80/100/150 80/100/150 Watt Multi-Purpose LED Area Light

Project:	
Type:	
Catalog #:	

STANDARD



The LEDMPAL series is a group of architectural LED area luminaires designed to illuminate parking areas, pathways, building facades, loading docks, and a wide variety of other large, general site lighting applications. Multiple mounting options make the LEDMPAL a versatile luminaire for flood lighting, pole-, ground- and wall-mounted area lighting, and other outdoor lighting requirements.

FEATURES

- Available in 4000K (neutral white) and 5000K (cool white).*
- Long-life LEDs provide at least 58,000 hours of operation with at least 70% of initial lumen output (L_{70}).**
- LEDMPAL80 delivers 8,501 lumens (110 lumens per watt, LPW) at 4000k, and 9,064 lumens (116 LPW) at 5000k.*
- LEDMPAL100 delivers 10,035 lumens (102 LPW) at 4000k, and 11,021 lumens (112 LPW) at 5000k.*
- LEDMPAL150 delivers 15,131 lumens (98 LPW) at both 4000k and 5000k.*
- Universal 100-277 AC voltage (50-60Hz) is standard.
- 0-10vdc dimming capability is standard.
- Power factor > 0.90.
- Total harmonic distortion < 20%.
- Color rendering index > 80.
- Die cast aluminum housing with durable, dark bronze powder coat finish, and a heat-resistant polycarbonate lens.
- Effective projected areas (EPA's) are: Front = 0.38 sf; Side = 0.30 sf; and Face = 1.04 sf.
- 3/4" knockout for button-type photocell.
- Easy installation in new construction or retrofit applications.

* Contact factory for other color temperatures and lumen packages.

** L_{70} hours are IES TM-21-11 calculated hours.



Steel Arm Mount Option

Slip-Fitter Mount Option

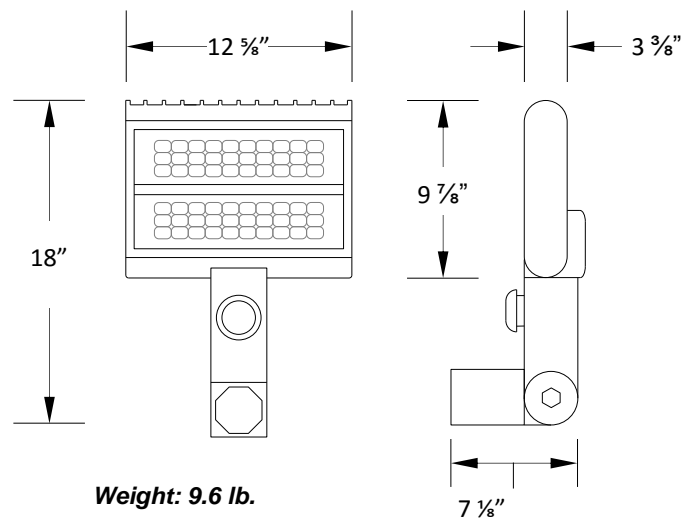
WARRANTY & LISTINGS

- cULus listed for wet locations (-30°C to 40°C / -22°F to 104°F)
- IP65 rated.
- DLC approved.
- Tested to UL1598, UL8750 and IEC60598 safety standards.
- 5-year warranty on all electronics and housing.

MOUNTING OPTIONS

- Slip-fitter mount provides attachment to poles (2 3/8" O.D. tenon).
- Steel arm mount provides secure attachment to flat surfaces.
- Yoke (trunnion) mount available by special order.

DIMENSIONS



ORDERING INFORMATION

Example: LEDMPAL80-4K + LEDMPAL-SF-80/300

Model	Luminaire Watts	Color Temperature	Luminaire Lumens	Lumens / Watt	Mounting Options (Order Separately)
LEDMPAL80	78	4K = 4000k 5K = 5000k	8,501 9,064	110 116	Slip-Fitter Mount = LEDMPAL-SF-80/300
LEDMPAL100	98	4K = 4000k 5K = 5000k	10,035 11,021	102 112	Steel Arm Mount = LEDMPAL-A-80/300
LEDMPAL150	154	4K = 4000k 5K = 5000k	15,131 15,131	98 98	Yoke (Trunnion) Mount = LEDMPAL-Y-80/300

LEDMPAL80/100/150 80/100/150 Watt Multi-Purpose LED Area Light

ELECTRICAL DATA

Model	Color Temperature	CRI ¹	Luminaire Lumens	Luminaire Watts	Lumens Per Watt	Input Voltage	Input Current (A)			Power Factor	THD ²	L ₇₀ Hours ³
							120V	240V	277V			
LEDMPAL80-4K	4000k	> 80	8,591	78	110	120-277 (50-60Hz)	0.65	0.33	0.28	> 90%	< 20%	69,000
LEDMPAL80-5K	5000k	> 80	9,064	78	116	120-277 (50-60Hz)	0.65	0.33	0.28	> 90%	< 20%	69,000
LEDMPAL100-4K	4000k	> 80	10,035	98	102	120-277 (50-60Hz)	0.82	0.41	0.35	> 90%	< 20%	69,000
LEDMPAL100-5K	5000k	> 80	11,021	98	112	120-277 (50-60Hz)	0.82	0.41	0.35	> 90%	< 20%	69,000
LEDMPAL150-4K	4000k	> 80	15,131	154	98	120-277 (50-60Hz)	1.28	0.64	0.56	> 90%	< 20%	58,000
LEDMPAL150-5K	5000k	> 80	15,131	154	98	120-277 (50-60Hz)	1.28	0.64	0.56	> 90%	< 20%	58,000

¹ Color rendering index

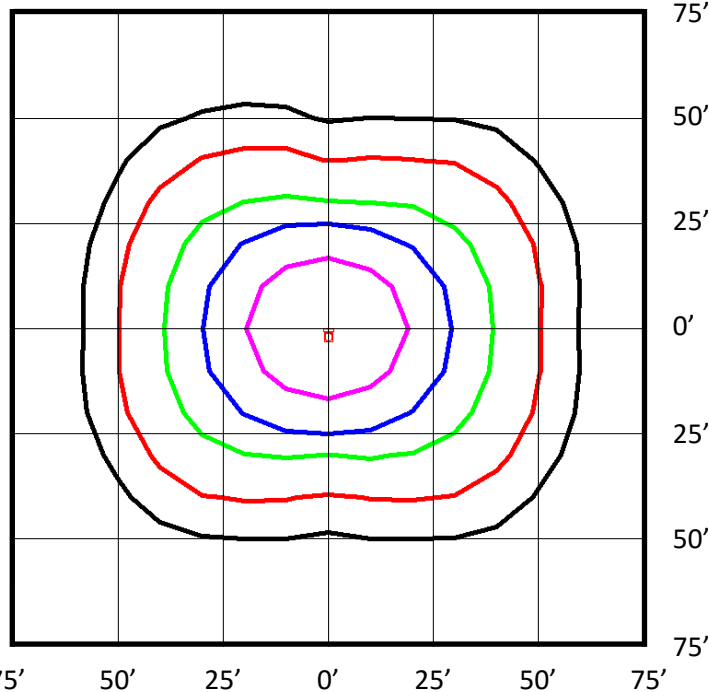
² Total harmonic distortion

³ L₇₀ refers to the number of hours at which lumen output declines to 70% of the initial level. L₇₀ hours are IES TM-21-11 calculated hours.

PHOTOMETRIC DATA

LEDMPAL80-4K (8,591 Lumens)

BUG Rating: B3-U2-G2



Zone	Lumens	%
FL - Front - Low (0-30)	1,069	12%
FM - Front - Medium (30-60)	2,301	27%
FH - Front - High (60-80)	827	10%
FVH - Front - Very High (80-90)	73	1%
Total Forward Light	4,271	50%
BL - Back - Low (0-30)	1,090	13%
BM - Back - Medium (30-60)	2,293	27%
BH - Back - High (60-80)	856	10%
BVH - Back - Very High (80-90)	64	1%
Total Back Light	4,302	50%
UL - Up Light - Low (90-100)	1	0%
UH - Up Light - High (100-180)	17	0%
Total Up Light	18	0%
Total Lumens	8,591	100%



Notes:

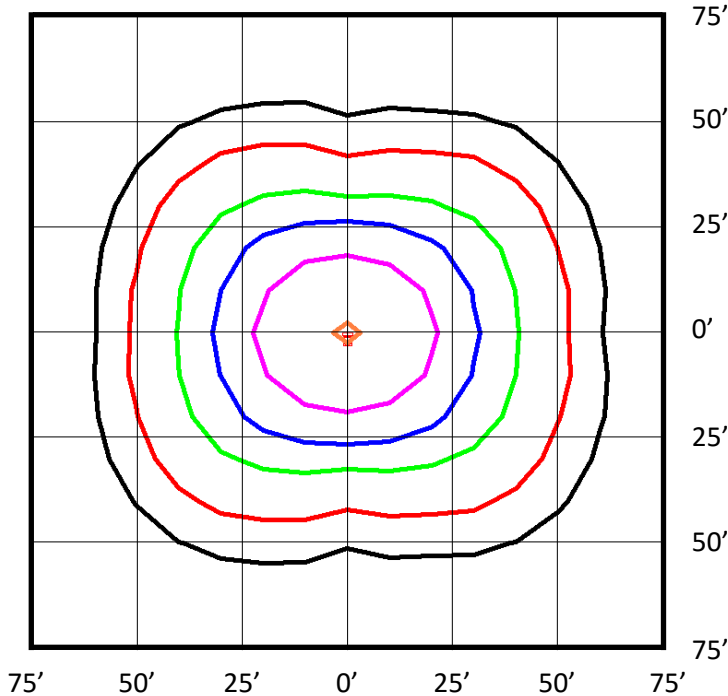
- Isofootcandle plots depict initial footcandles at grade.
- Gridlines represent units of mounting height of 25 feet.

LEDMPAL80/100/150 80/100/150 Watt Multi-Purpose LED Area Light

PHOTOMETRIC DATA

LEDMPAL100-4K (10,035 Lumens)

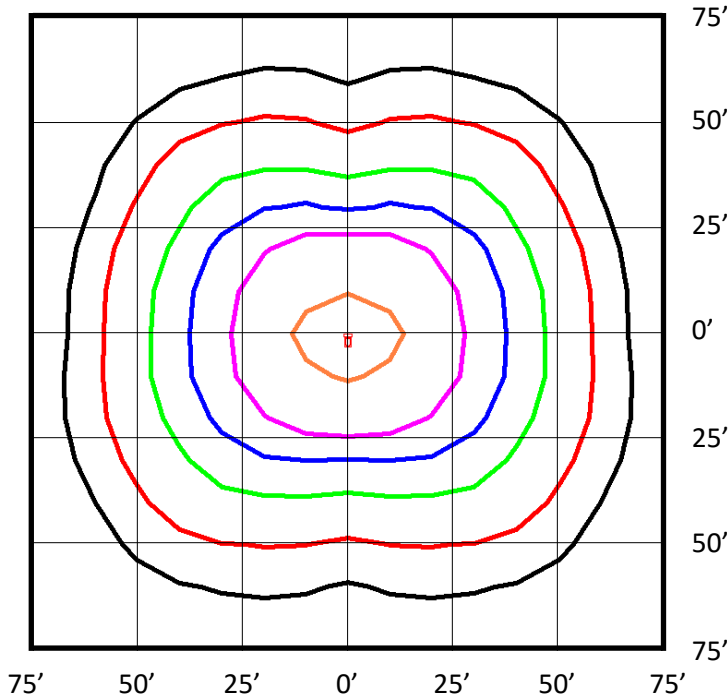
BUG Rating: B3-U2-G2



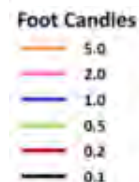
Zone	Lumens	%
FL - Front - Low (0-30)	1,285	13%
FM - Front - Medium (30-60)	2,708	27%
FH - Front - High (60-80)	997	10%
FVH - Front - Very High (80-90)	87	1%
Total Forward Light	5,077	51%
BL - Back - Low (0-30)	1,259	13%
BM - Back - Medium (30-60)	2,654	26%
BH - Back - High (60-80)	960	10%
BVH - Back - Very High (80-90)	71	1%
Total Back Light	4,944	49%
UL - Up Light - Low (90-100)	1	0%
UH - Up Light - High (100-180)	14	0%
Total Up Light	15	0%
Total Lumens	10,035	100%

LEDMPAL150-4K (15,131 Lumens)

BUG Rating: B3-U2-G3



Zone	Lumens	%
FL - Front - Low (0-30)	1,836	12%
FM - Front - Medium (30-60)	4,134	27%
FH - Front - High (60-80)	1,655	11%
FVH - Front - Very High (80-90)	128	1%
Total Forward Light	7,754	51%
BL - Back - Low (0-30)	1,747	12%
BM - Back - Medium (30-60)	3,936	26%
BH - Back - High (60-80)	1,574	10%
BVH - Back - Very High (80-90)	96	1%
Total Back Light	7,353	49%
UL - Up Light - Low (90-100)	1	0%
UH - Up Light - High (100-180)	24	0%
Total Up Light	25	0%
Total Lumens	15,132	100%



Notes:

- Isofootcandle plots depict initial footcandles at grade.
- Gridlines represent units of mounting height of 25 feet.